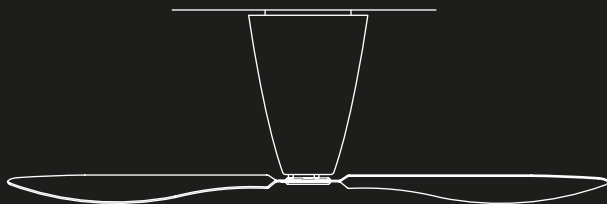


# BLOW

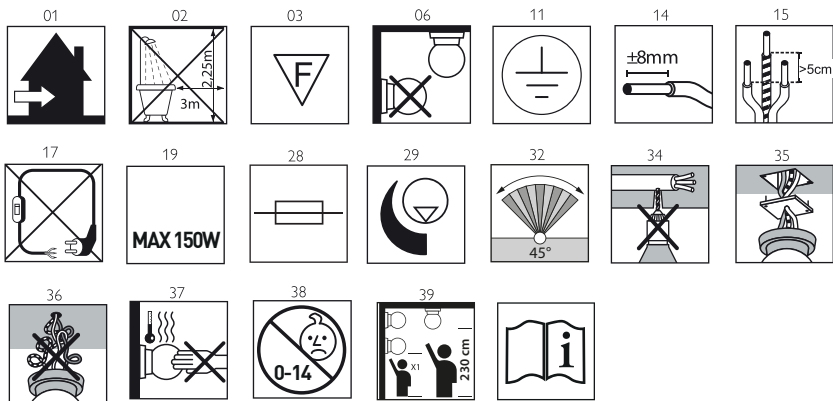
design Ferdi Gardini



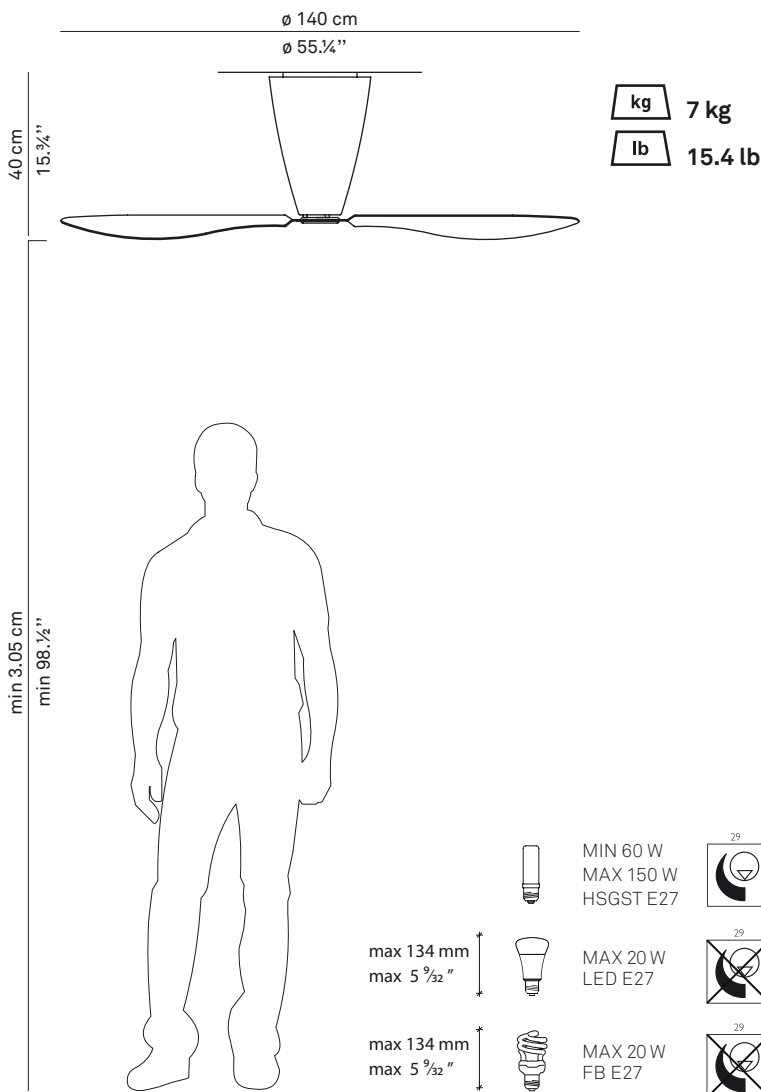
**LUCE  
PLAN**

D28





D28



---

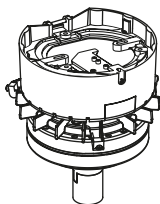
**D28**



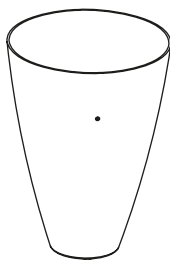
a



b



1 x



1 x



3 x

---

**D28/1 - D28/2**



3 x



1 x



1 x



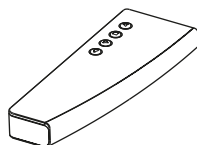
3 x



3 x

---

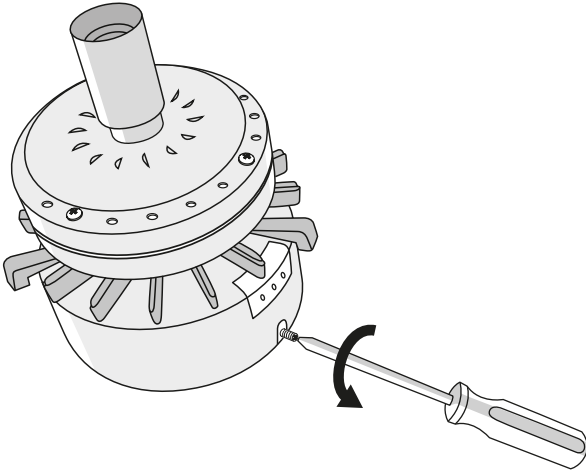
**D28R ACCESSORY**



1 x

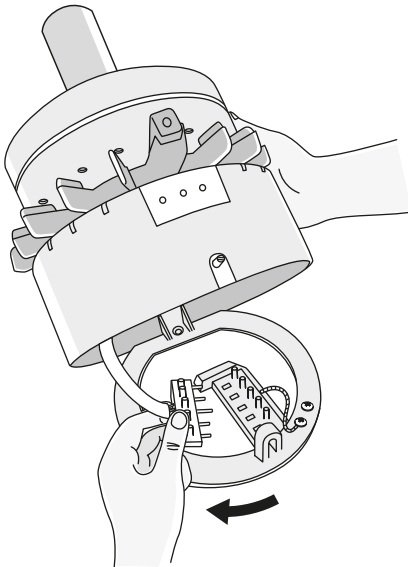
---

1

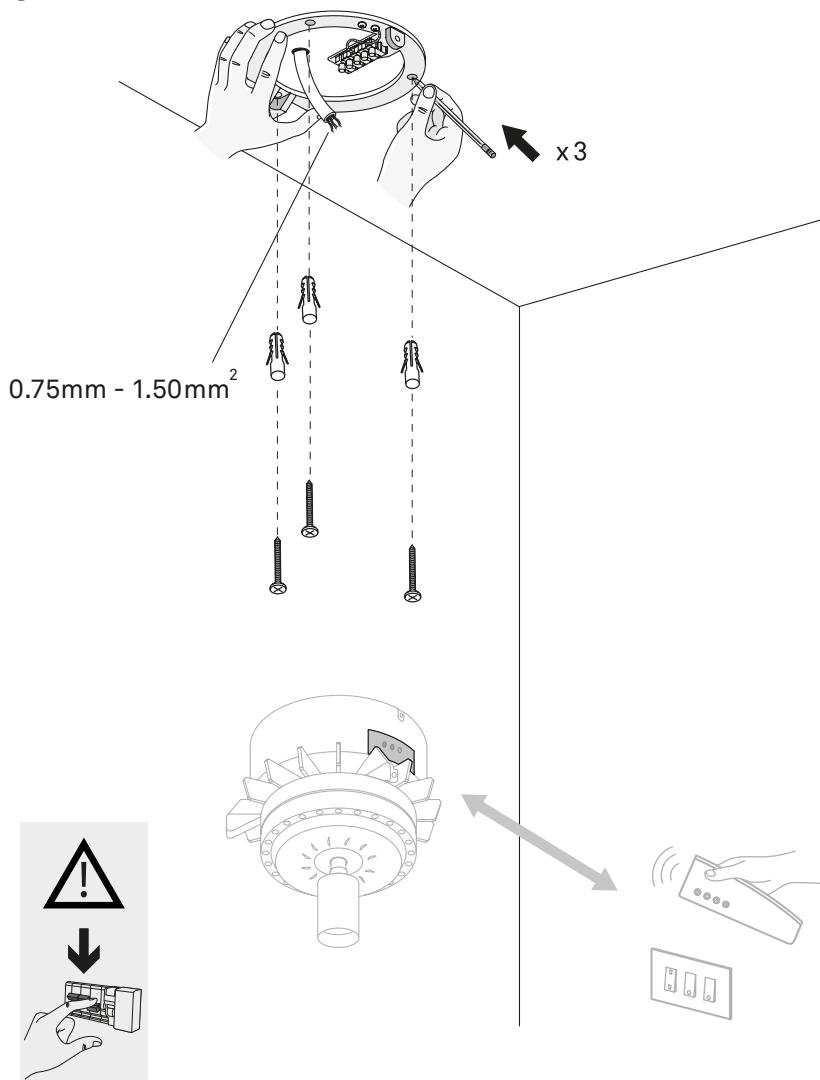


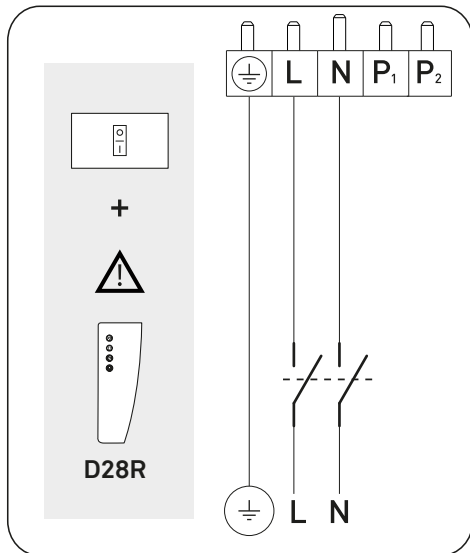
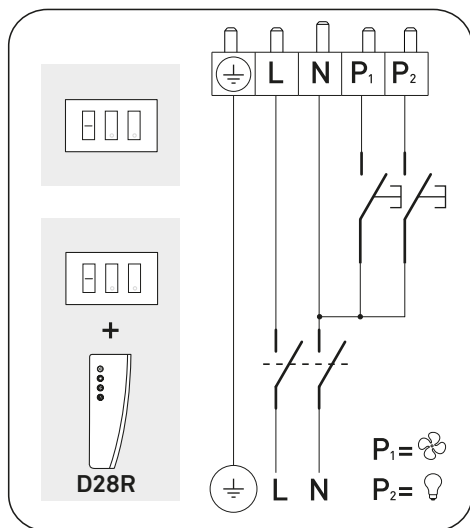
---

2

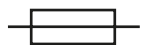


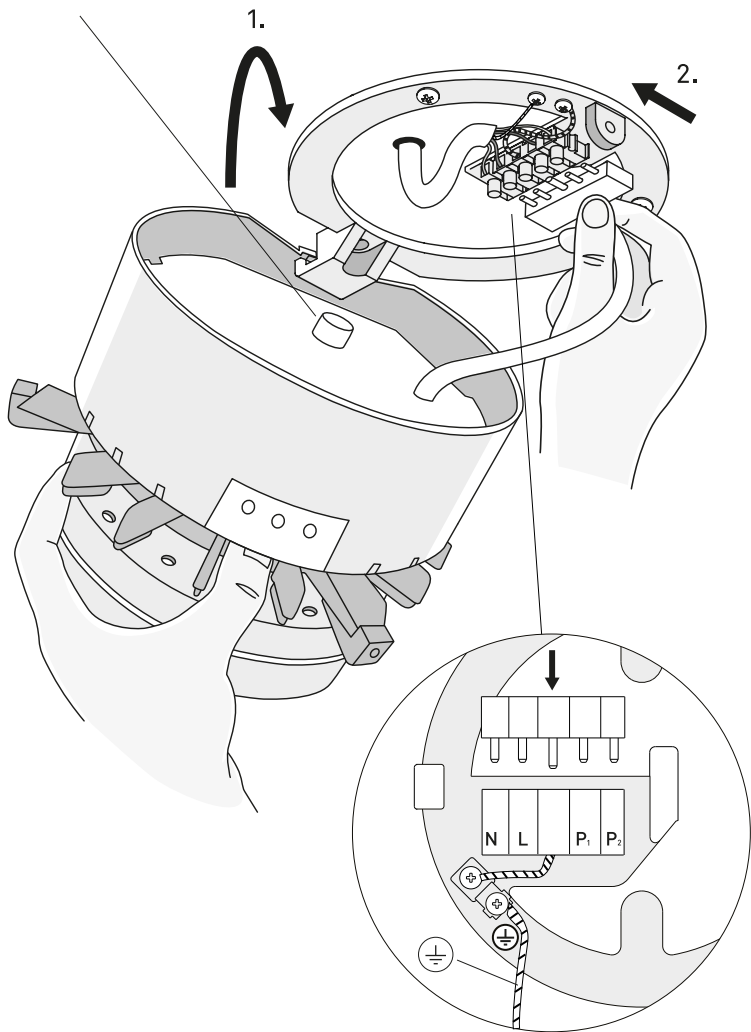
3





5

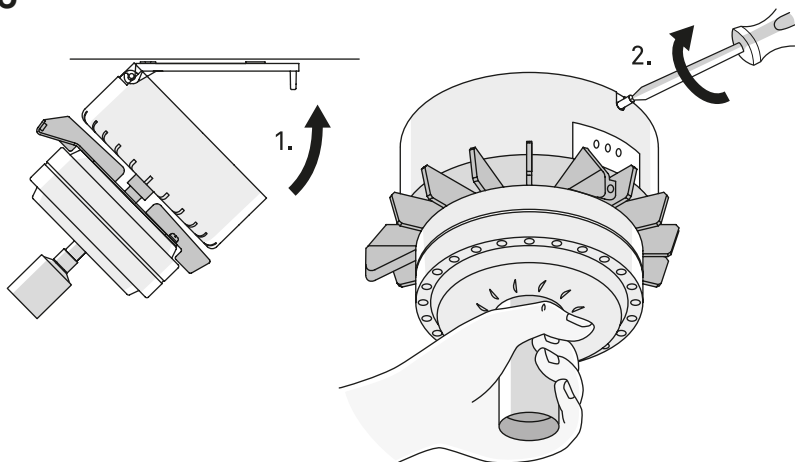
  
F2A 250V 5 x 20





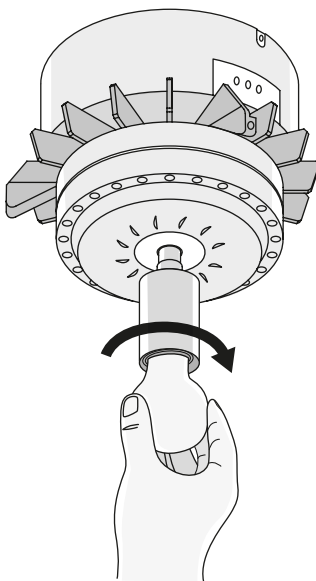
---

6

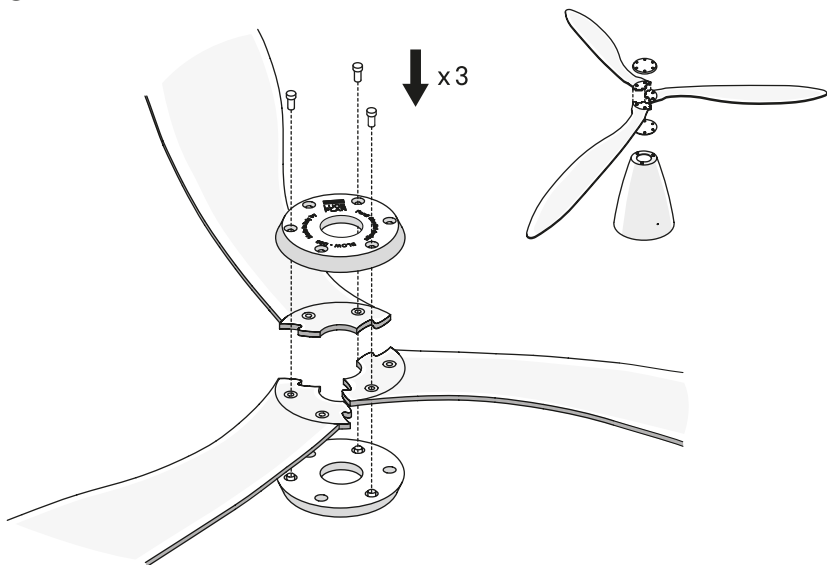


---

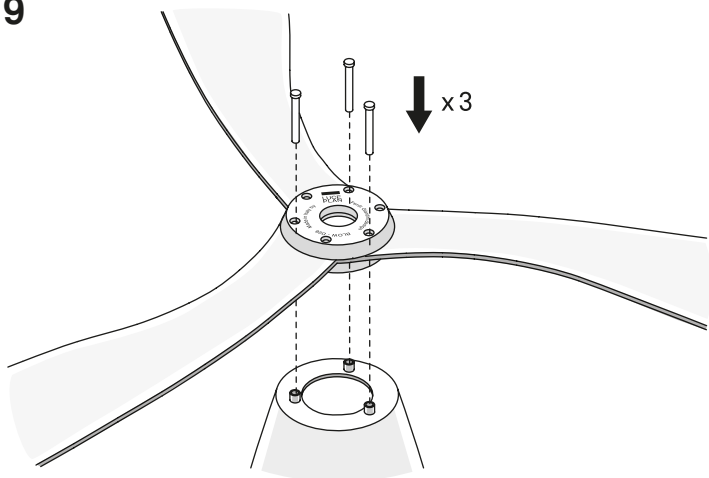
7

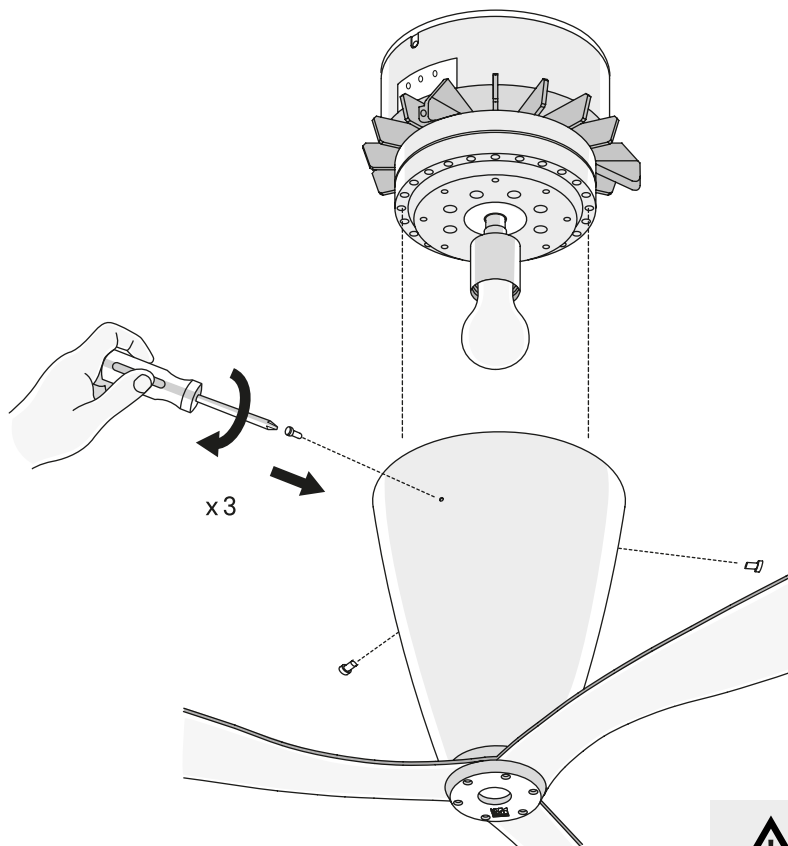


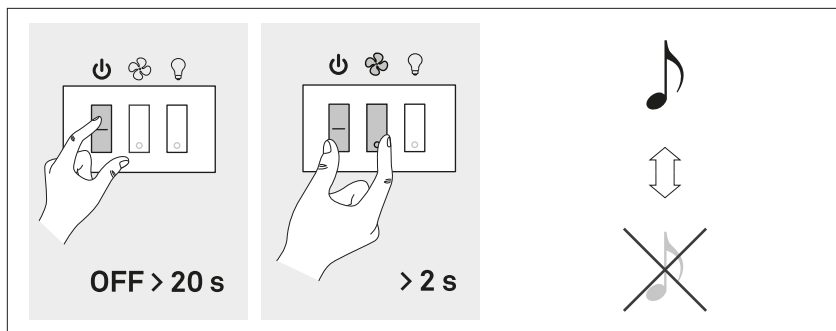
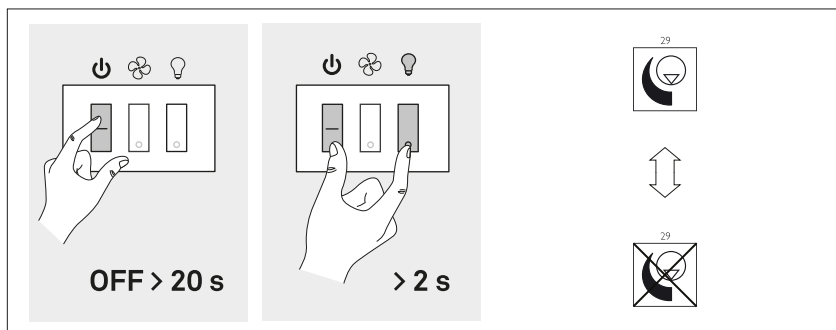
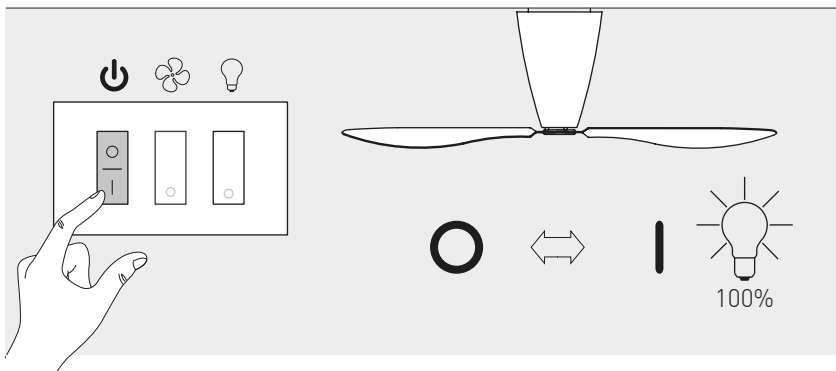
8



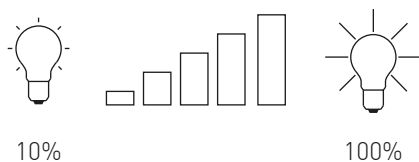
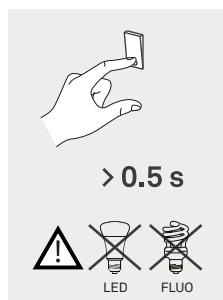
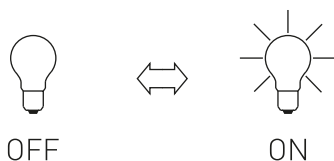
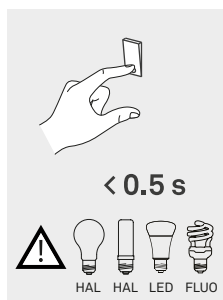
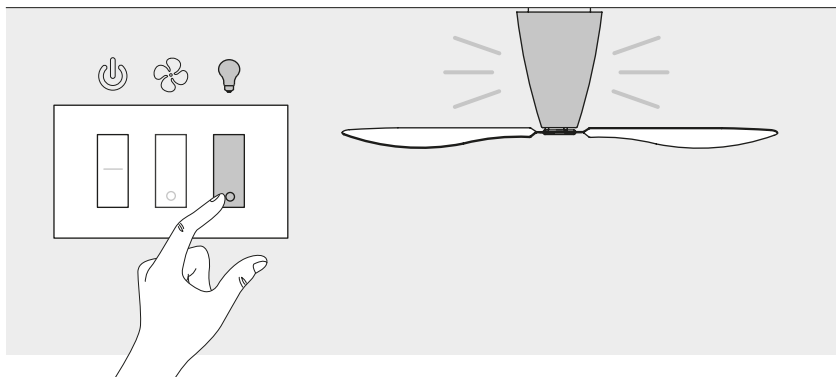
9



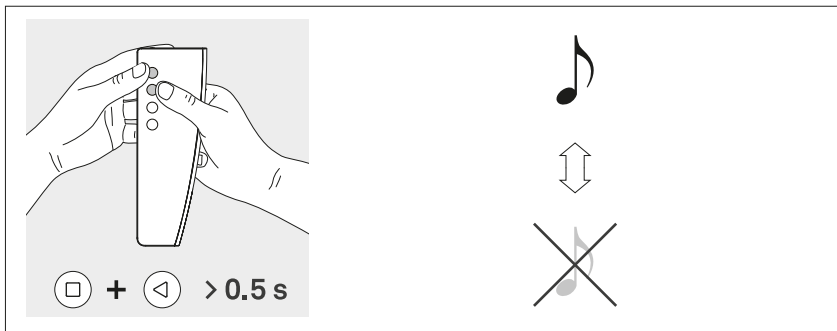
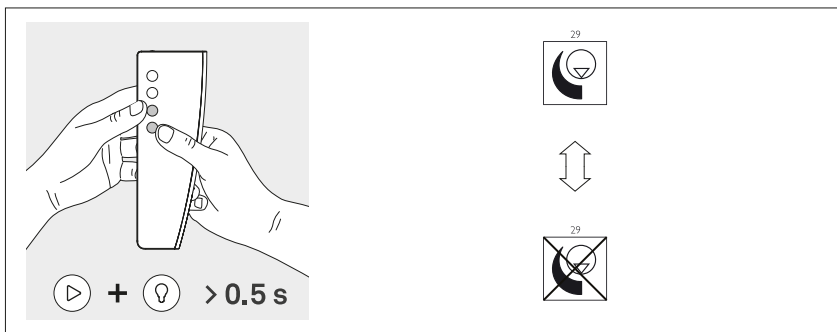
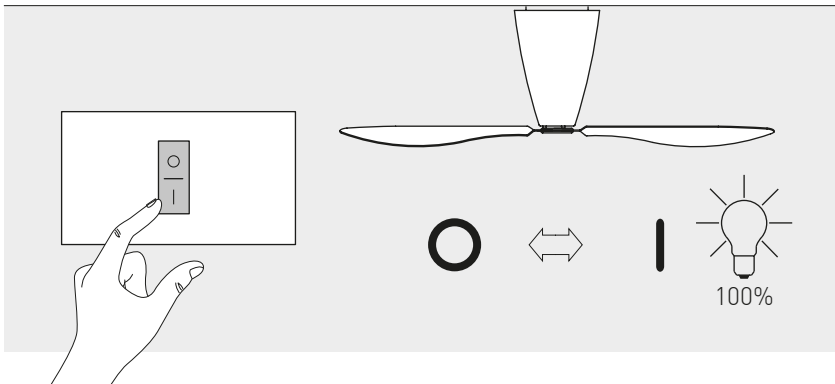




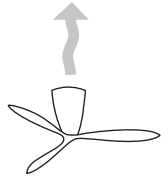
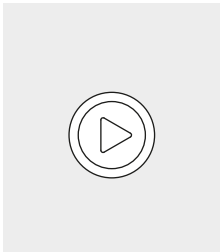
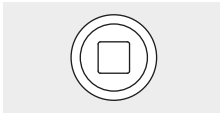
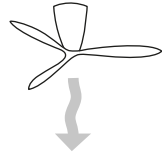
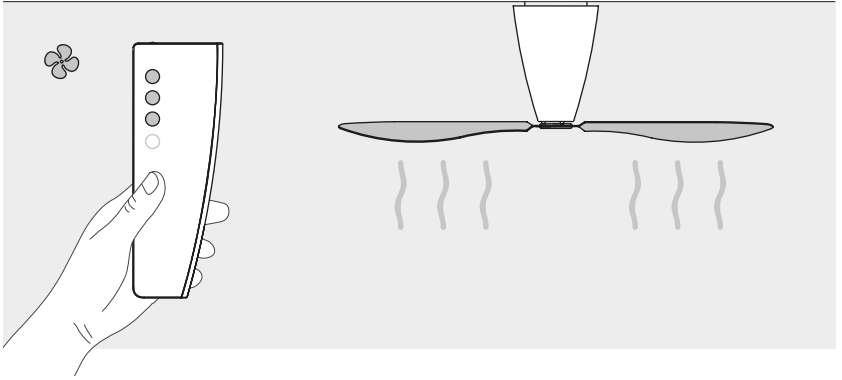


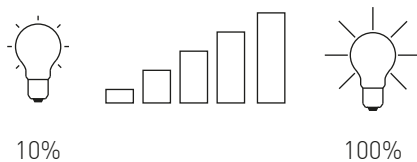
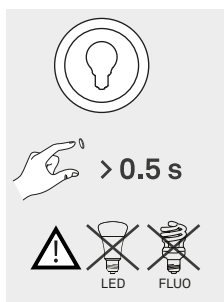
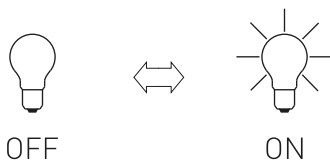
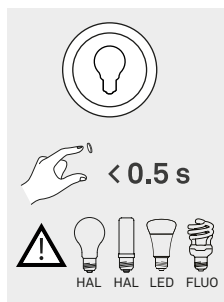
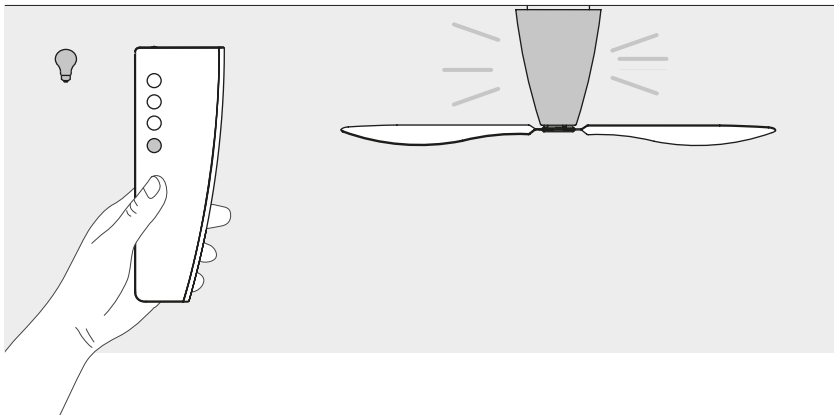
















[www.luceplan.com](http://www.luceplan.com)

D280IB209