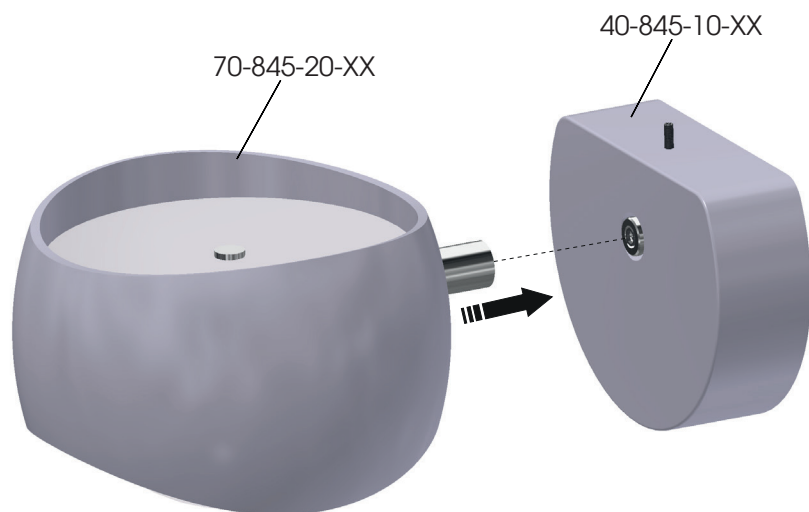


E



CURVED Base

WALL

OLIGO Lichttechnik GmbH
Tannenweg 1
DE - 53757 Sankt Augustin
Germany
www.oligo.de
info@oligo.de

Art.-Nr. / Item-No.
40-845-10-XX

F



OPTIONS HEAD POSITIONS 0° - 360°

| | AC 220-240V / 50-60Hz / DC 24V SELV | max. 25W |
|-----|-------------------------------------|------------|
| Ⓓ | Spannung | Belastung |
| ⒼⒷ | Voltage | Loading |
| ⓃⓁ | Spanning | Belasting |
| Ⓕ | Tension | Charge |
| Ⓜ | Tensione | Carico |
| ⒺⓈ | Tensión | Carga |
| Ⓟ | Tensão | Carga |
| ⒹⓀ | Spænding | Belastning |
| Ⓢ | Spänning | Belastning |
| Ⓝ | Spänning | Fatning |
| ⒻⓂ | Jännite | Kuormitus |
| ⓉⓇ | Gerilim | Yük |
| ⓅⓁ | Napięcie | Oprawka |
| ⒼⓇ | Τάση | Υποδοχή |
| ⓇⓊⓈ | Напряжение | Нагрузка |
| ⓊⓐⓈ | الجهد الكهربى | الدواة |

