

## LOCAL-A

SMART.POINT

Design: Raif Keferstein

OLIGO Lichttechnik GmbH

Meysstr. 22 - 24

DE - 53773 Hennef

Germany

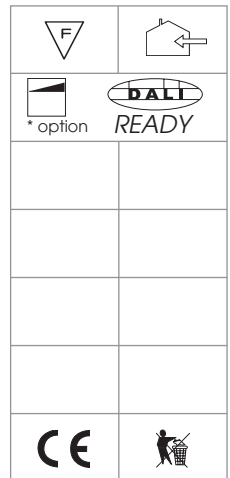
www.oligo.de

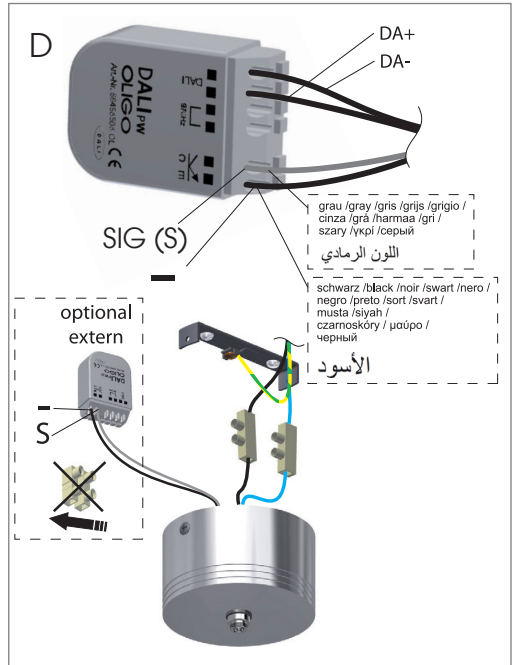
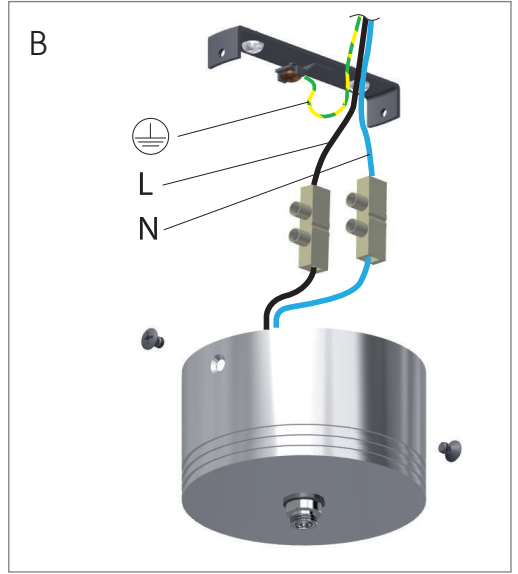
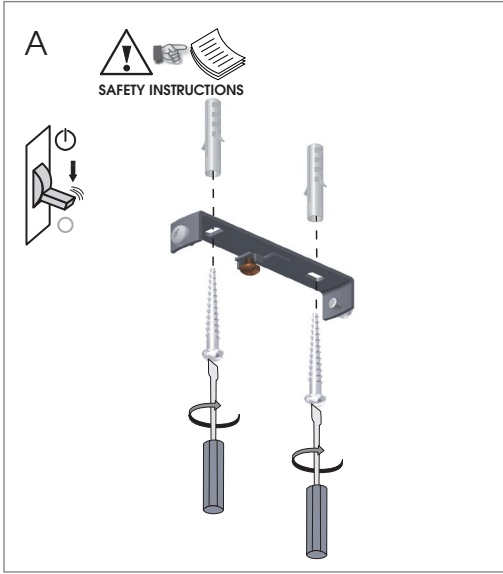
info@oligo.de

Art.-Nr. / Item-No.

21-453-10-XX

	100-240V/50-60Hz / DC 24V	max. 18W
(D)	Spannung	Belastung
(GB)	Voltage	Loading
(NL)	Spanning	Belasting
(F)	Tension	Charge
(I)	Tensione	Carico
(ES)	Tensión	Carga
(P)	Tensão	Carga
(DK)	Spænding	Belastning
(S)	Spänning	Belastning
(N)	Spänning	Fatning
(FI)	Jännite	Kuormitus
(TR)	Gerilim	Yük
(PL)	Napięcie	Oprawka
(GR)	Τάση	Υποδοχή
(RUS)	Напряжение	Нагрузка
(JAE)	الجهد الكهربى	الدواة





## LOCAL-A

SMART.POINT

Design: Raif Keferstein

OLIGO Lichttechnik GmbH

Meysstr. 22 - 24

DE - 53773 Hennef

Germany

www.oligo.de

info@oligo.de

Art.-Nr. / Item-No.

21-453-10-XX

	100-240V/50-60Hz / DC 24V	max. 18W
(D)	Spannung	Belastung
(GB)	Voltage	Loading
(NL)	Spanning	Belasting
(F)	Tension	Charge
(I)	Tensione	Carico
(ES)	Tensión	Carga
(P)	Tensão	Carga
(DK)	Spænding	Belastning
(S)	Spänning	Belastning
(N)	Spänning	Fatning
(FI)	Jännite	Kuormitus
(TR)	Gerilim	Yük
(PL)	Napięcie	Oprawka
(GR)	Τάση	Υποδοχή
(RUS)	Напряжение	Нагрузка
(JAE)	الجهد الكهربى	الدواة

